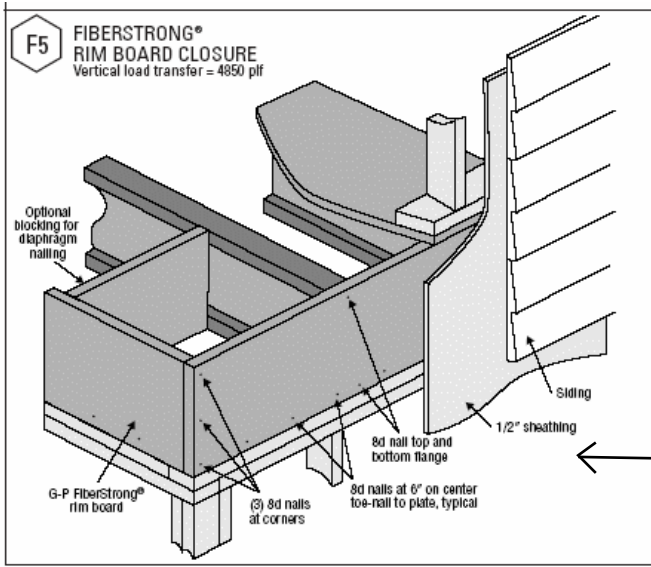


# I-JOIST UPDATE FOR 20' WIDE COTTAGES

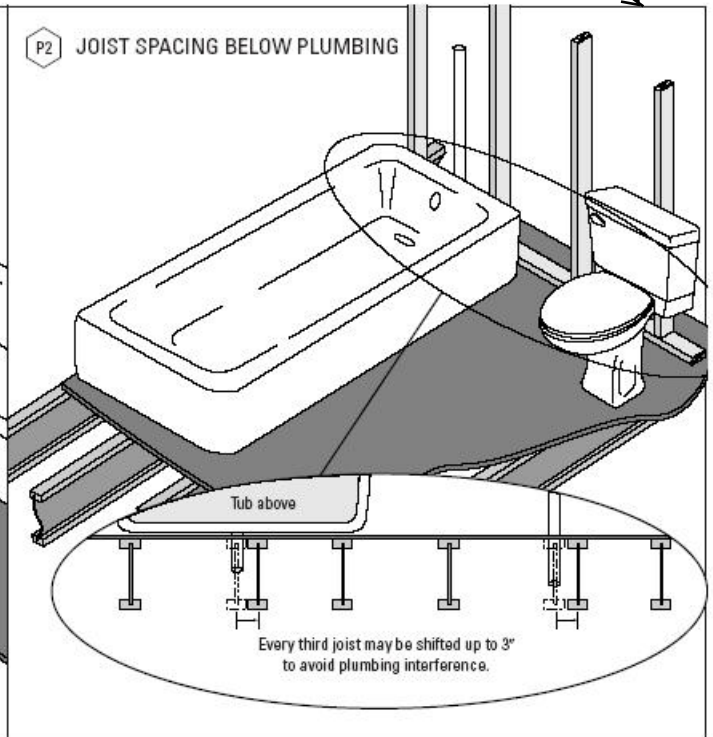
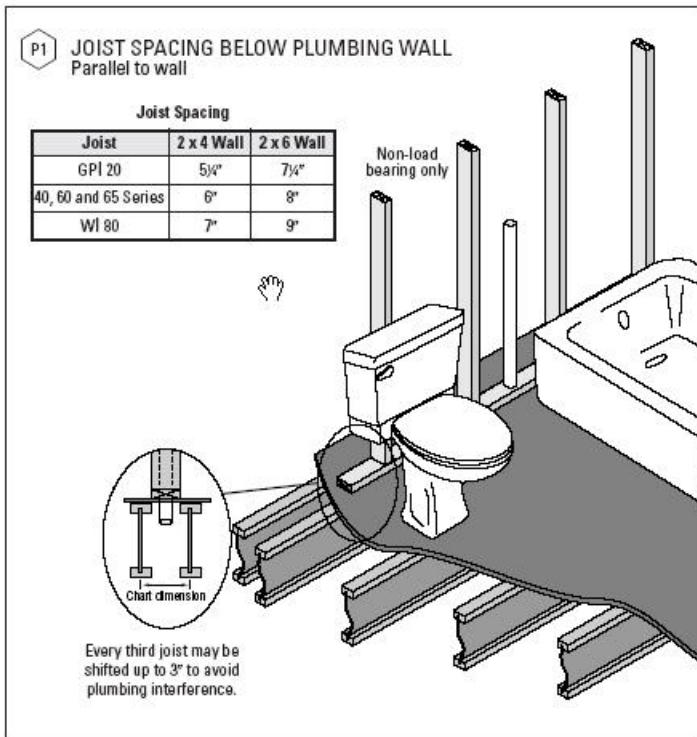


Most brands of engineered lumber will have similar products that can span the 19' needed for the 20' cottage. The WIF 30 designation has been changed! It seems the manufacturers are trying to standardize the labels (but aren't there yet).

The (new name) GPI-40, 11 7/8" joist will span 19'-8" at 16" o/c. This is with improved performance (less deflection or bounce). Use this designation label for the WIF 30 joists called out in the plan. The Truss Joist designa-

*Timberstrad and Fiberstrand are similar products from different lumber mills.*

*Moving joists to make room for plumbing*



tion for the same span and deflection rating would be a 11 7/8" TJI/Pro-250 @ 16" o/c (spans 19'-5").

This is for a main living floor load of 40 psf live and 10 psf dead. Upper floors often are rated at 30 psf live load. There good quality 2x12s can span the 19'.

At any rate I would suggest using a joist with an improved performance rating (L/480 deflection) on a 19' span. You may also find other products locally that meet this requirement.

If you are worried about getting too close to the deflection limit of the span, then place the joists 12" o/c for an extra solid and stiff floor. It will only amount to a few more joists. See also: The GP Engineered wood brochures (in PDF format) with more information and details on using I-joists:

<http://www.gp.com/englumber/ibeam.html>

For a direct link to the GP floor span charts, go to: <http://www.gp.com/englumber/pdf/123040/6-8.pdf> (see page 1).